



schneider

Tailored to Your Business



Instrumentation Products

Flange Adaptors



Flange Adaptors

Product description

Piping and Instrumentation are linked by the AS-Schneider Flange Adaptors. The compact design eliminates the need for additional connections.

Features

Connection 1 (Flange connection)

- ASME B16.5 flange connection
Flange size 1/2" to 3"
Flange Class 150 to 2.500
- EN 1092-1 flange connection from
DN15 to DN80 and from PN10 to PN100

Connection 2

- Compression fitting DIN 2353
- Threaded
- Twin ferrule compression fitting

Materials

- ASME flanges A105 or 316 / 316L
- EN flanges 1.0460 or 1.4571

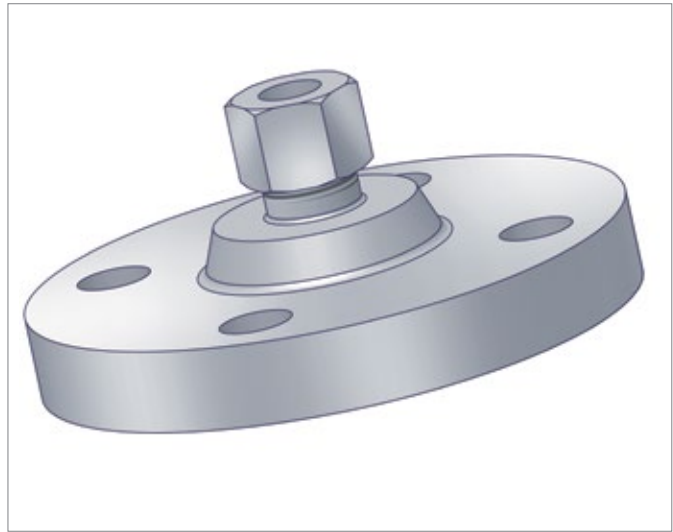
Optional Features

- NACE MR0175/ISO 15156 compliant materials
- Cleaned and degreased for oxygen service
- Certificates according EN 10204

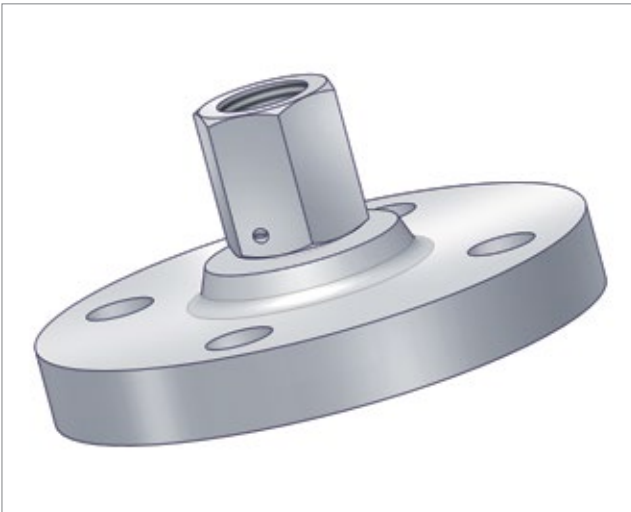
If you don't find your option please contact us.



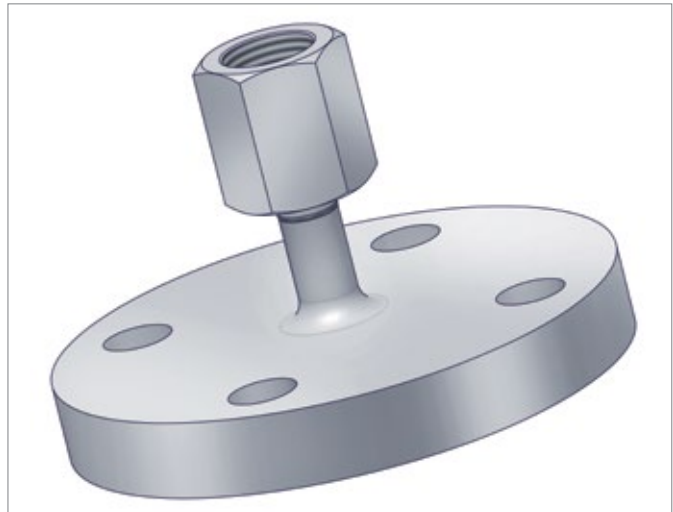
FAB-QLDLN4-P



FAN-QLDG14-P



FAN-QLDLGQ-P



FAN-QLDLGD-P

Flange Adaptors | Ordering Information

Ordering Information | Flange Adaptor

	1	2	3	4	5	6	7	8	9	10	11	12	13	14
	F	A	N	-	N	A	A	G	1	4	-	C		
Flange Adaptor														
Flange type														
N	Flange, ASME													
Q	Flange, EN													
Connection 1 (Flange connection)														
ASME Flange														
A	1/2" RF													
D	3/4" RF													
F	3/4" RTJ													
G	1" RF													
L														
N	2" RF													
P														
Q	2" RTJ													
U	3" RF													
W	3" RTJ													
Z														
EN Flange														
	DN15 B1													
	DN15 C (tongue)													
	DN20 B1													
	DN25 B1													
	DN25 B2													
	DN25 C (tongue)													
	DN25 D (groove)													
	DN50 B1													
	DN80 B1													
ASME Flange														
A	Class 150													
B	Class 300													
C	Class 600													
D	Class 900													
E	Class 1500													
F	Class 2500													
G														
EN Flange														
	PN 16 (only applicable to \geq DN50)													
	PN 40													
	PN 63 (only applicable to \geq DN50)													
	PN 100													
	PN 160													
Connection 2														
G14	Compression fitting DIN2353 12S													
G15	Compression fitting DIN2353 14S													
LGB	Swivel nut G 1/4 (welded)													
LGD	Swivel nut G 1/2 (welded)													
LGN	Swivel nut G 1/4													
LGQ	Swivel nut G 1/2													
LN4	Female thread 1/2NPT (positions 1-3 change to FAB) Twin ferrule compression fitting on request													
Material														
ASME Flange														
C	A105													
P														
S	316L													
EN Flange														
	1.0460													
	1.4571													
Optional Features														
B	Oxygen service													
N	NACE MR0175/ISO 15156													

Armaturenfabrik Franz Schneider GmbH + Co.KG reserves the right to change materials, specifications or designs without notice.



YOUR GLOBAL PARTNER

for Instrumentation and
Pipeline Valves



Visit us on:



ARMATURENFABRIK FRANZ SCHNEIDER GMBH + CO. KG
World Headquarters
Bahnhofplatz 12, 74226 Nordheim, Germany
Tel: +49 7133 101-0
www.as-schneider.com



ARMATURENFABRIK FRANZ SCHNEIDER SRL
Str. Basarabilor, Nr. 7, 100036 Ploiesti
Romania
Tel: +40 244 384 963
www.as-schneider.ro



AS-SCHNEIDER ASIA-PACIFIC PTE. LTD.
970 Toa Payoh North, #02-12/14/15, Singapore 318992,
Singapore
Tel: +65 62 51 39 00
www.as-schneider.sg



AS-SCHNEIDER AMERICA, INC.
17471 Village Green Dr, Houston, TX 77040
United States of America
Tel: +1 281 760 1025
www.as-schneider.com



AS-SCHNEIDER MIDDLE EAST FZE
P.O. Box 18749, Dubai
United Arab Emirates
Tel: +971 4 880 85 75
www.as-schneider.ae



AS-2801-EN | October 2016