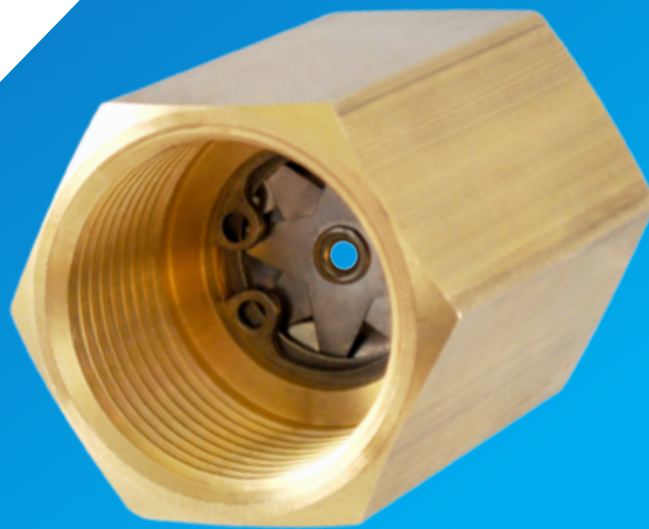


→ Series VB



FLOW REGULATORS →

Flow regulators

The flow regulators type VB15 and VB20 were developed to maintain a constant specific rate of flow in water-like media. They ensure that the flow rate is maintained constant or is not exceeded even with fluctuating pressures upstream or downstream of the flow regulator.

Supplying the individual sections with the desired flow volumes, while permitting hydraulic compensation is especially important in complex pipeline systems with several consumers.

Principle of operation

The free cross-section for the flow medium in the control unit is correspondingly altered under the effects of the existing differential pressure. By increasing the gap opening with diminishing pressure or reducing it in the case of increasing pressure, a constant volume flow through the flow regulator is maintained.



Advantages

- No auxiliary power is required
- Simple construction
- Compact design
- Reliable, no wearing parts
- Easy installation

Applications

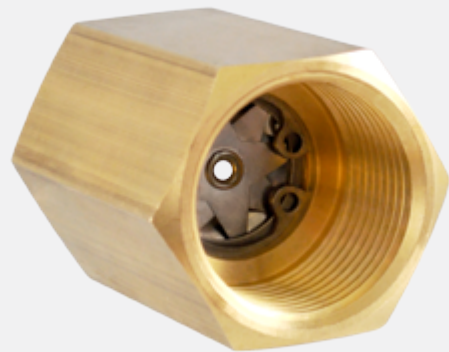
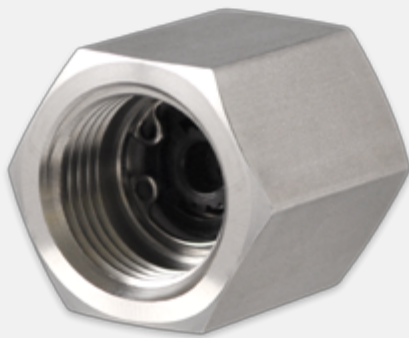
- Cooling water systems
- Water treatment systems
- Sanitary installations
- Industrial water distribution systems



Flow regulators

Series VB

VB15 / VB20



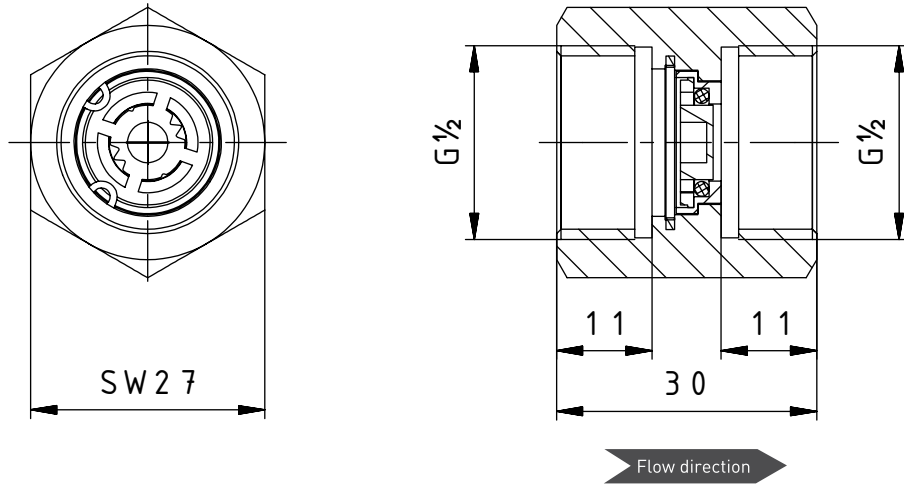
Technical data

Type	Set value (flow rate) [l/min], water, 20 °C
VB1503SR...	3
VB1504SR...	4
VB1506SR...	6
VB1507SR...	7
VB1508SR...	8
VB1510SR...	10
VB1512SR...	12
Common data	
Tolerance of control	≤ 5 l/min: ±15 % > 5 l/min: ±10 %
Operating temperature	10...60 °C
Working pressure	1...10 bar
Diameter	DN 15
Process connection	G½
Material specifications	
Pipe section	Brass 2.0401 or Stainless steel 1.4571
Inner parts	EPDM, Hostaform C POM, Stainless steel 1.4422

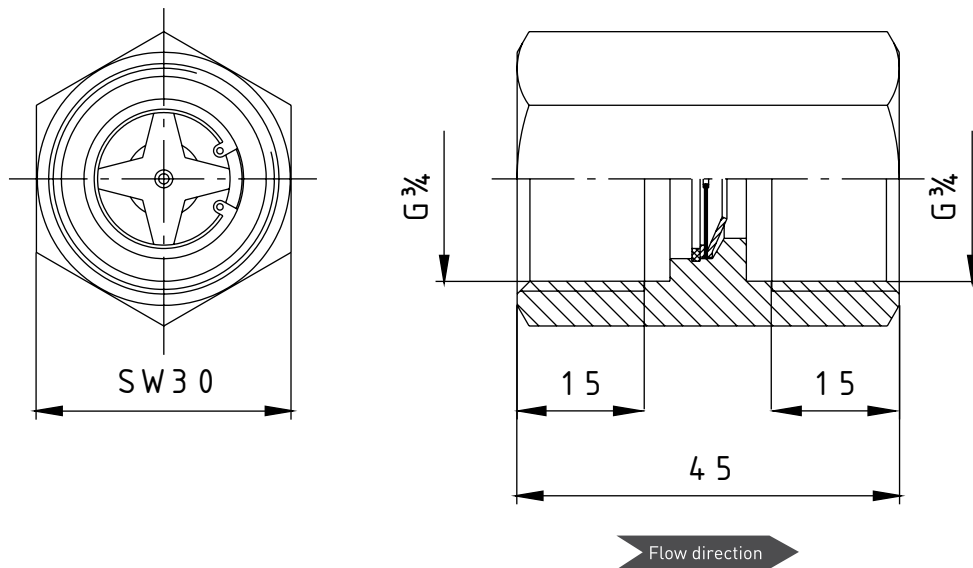
Technical data

Type	Set value (flow rate) [l/min], water, 20 °C
VB2001ER...	1
	Set values 1...30 l/min in 1 l/min steps available
VB2030ER...	30
Common data	
Tolerance of control	< 3 l/min: ±15 % > 3 l/min: ±10 %
Operating temperature	-20...200 °C
Working pressure	2...10 bar
Diameter	DN 20 (optional DN 15)
Process connection	G¾ (optional G½) female
Material specifications	
Pipe section	Brass 2.0401 or Stainless steel 1.4305
Inner parts	Stainless steel 1.4310 / 1.4301 / A2

VB15



VB20



Order code	Example → VB1503SR	MS1
Set value		
3 l/min	VB1503SR	
4 l/min	VB1504SR	
6 l/min	VB1506SR	
7 l/min	VB1507SR	
8 l/min	VB1508SR	
10 l/min	VB1510SR	
12 l/min	VB1512SR	
Material		
Brass		MS1
Stainless steel		VA1

Order code	Example → VB2001ER	MS3
Set value		
1 l/min	VB2001ER	
2 l/min	VB2002ER	
Requested set value in steps of 1 l/min		
30 l/min	VB2030ER	
Material		
Brass		MS3
Stainless steel		VA3

